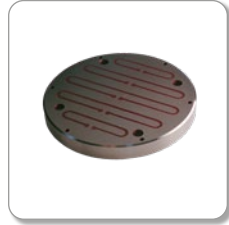




## 32 Magnetic clamping devices



Permanent magnetic circular chuck



Additional plates for the magnetic circular chuck

**Overview –  
All chapter**



**Your enquiry\***

**\*Your enquiry**

Size / shape / material / magnetization / coating /  
working temperature / after drawing...

**Technical  
informations**



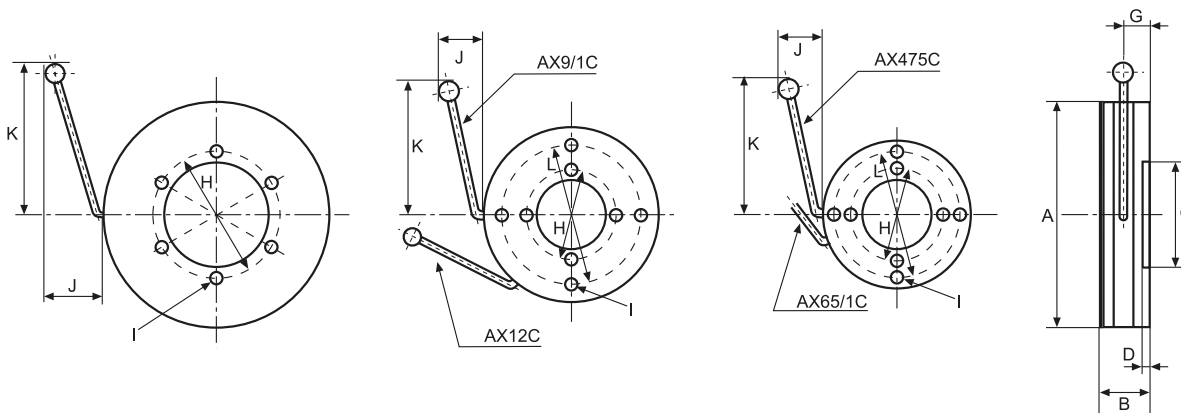
# Magnetic clamping devices

## Permanent magnetic circular chuck

The magnetic circular chucks Eclipse, are particularly suitable for use on the turning lathe, on internal grinding machines, for cylindrical-grinding machines, and on circular-indexing machines.




AX65/1C



Dimensions, mm

Stock no.

Weight

A	B	C	D	G	H	I	J	K	L		kg
120	45	50.8	6	22	76	M 6	46	79	102.0	<b>AX475C</b>	4.0
165	57	76.2	4	28	102	M10	73	130	140.0	<b>AX65/1C</b>	9.0
229	60	85.725	5	29	114	M10	73	137	190.5	<b>AX9/1C</b>	18.0
305	76	152.4	5	37	184	M12	105	257	254.0	<b>AX12C</b>	42.0
381	83	196.85	8	40	235	M12	98	256	-	<b>AX15C</b>	68.5

Overview –  
All chapter

 Your enquiry

Technical  
informations


 top

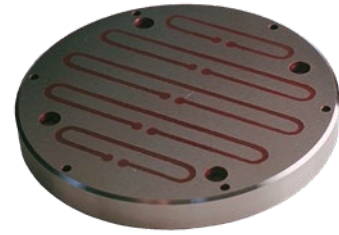




## Additional plates for the magnetic circular chuck

Used as a screwed on pole plate, for the construction of jigs and fixtures.

for plates	Thickness mm	Stock no. 	Weight kg
AX475C	13.0	<b>T475C</b>	1.140
AX65/1C	16.0	<b>T65/1C</b>	2.130
AX9/1C	15.0	<b>T9/1C</b>	4.800
AX12C	23.5	<b>T12C</b>	13.600
AX15C	23.5	<b>T15C</b>	22.000



T65/1C

[Overview –  
All chapter](#)

 [Your enquiry](#)

[Technical  
informations](#)

[↑ top](#)

