



## 26 Adhesive electromagnets



Hexagonal electro-pot magnets

**Overview –  
All chapter**

 **Your enquiry**

**Technical  
informations**



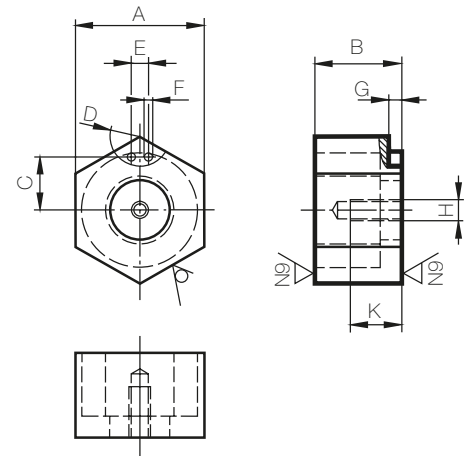
## Adhesive electromagnets

### Hexagonal electro- pot magnets


The honeycomb shaped pot magnets are particularly suitable as individual magnets. Joined together they lend themselves to the construction of compact magnetic plates.

Shorter electromagnets (ME1030 ... ME1090) are used as adhesive magnets, and longer magnets (ME2030 ... ME2090) are preferred as pull-type electromagnets. The length of the electric connection wires is 290 mm.

Rated voltage [U]:	24 volts DC, -10% ... +5%
Type of protection:	IP65 according to DIN 40050
Insulation class:	E
Operating temperature:	max. 80°C
Operating factor [ED]:	100%
Residual adhesive force:	max. 5% of the pull force



ME1050

Dimensions										Stock no.	pull force*	Weight	I
A	B	C	D	E	ØF	G	H	K		N	g	A	
SW30	20	12.5	7	4	2.0	3	M5	12	<a href="#">ME1030</a>	290	85	0.20	
SW41	21	18.0	8	4	2.0	3	M6	12	<a href="#">ME1041</a>	610	205	0.20	
SW50	28	22.5	10	4	2.0	3	M6	12	<a href="#">ME1050</a>	840	350	0.25	
SW60	29	27.5	10	4	2.0	3	M8	12	* <a href="#">ME1060</a>	1110	550	0.30	
SW70	34	32.0	12	5	3.0	3	M8	15	* <a href="#">ME1070</a>	1600	830	0.40	
SW90	46	42.0	15	5	3.5	5	M10	15	* <a href="#">ME1090</a>	2200	1720	0.75	

\* = electric potential 21.6 volts DC, at operating temperature

\* = Delivery (until stocks are exhausted)

Overview –  
All chapter

 Your enquiry

Technical  
informations

↑top



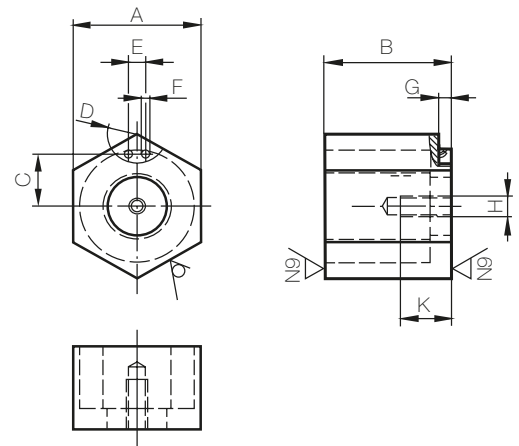


## Hexagonal electro- pot magnets


The honeycomb shaped pot magnets are particularly suitable as individual magnets. Joined together they lend themselves to the construction of compact magnetic plates.

Shorter electromagnets (ME1030 ... ME1090) are used as adhesive magnets, and longer magnets (ME2030 ... ME2090) are preferred as pull-type electromagnets. The length of the electric connection wires is 290 mm.

Rated voltage[U]:	24 volts DC, -10% ... +5%
Type of protection:	IP65 according to DIN 40050
Insulation class:	E
Operating temperature:	max. 80°C
Operating factor [ED]:	100%
Residual adhesive force:	max. 5% of the adhesive force



ME2041

Dimensions										Stock no.	pull force*	Weight	I
A	B	C	D	E	ØF	G	H	K		N	g	A	
SW30	30	12.5	7	4	2.0	3	M5	12	<a href="#">ME2030</a>	260	140	0.18	
SW41	40	18.0	8	4	2.0	3	M6	15	<a href="#">ME2041</a>	555	320	0.24	
SW50	50	22.5	10	4	2.0	3	M6	15	* <a href="#">ME2050</a>	760	660	0.25	
SW60	60	27.5	10	4	2.0	3	M8	15	* <a href="#">ME2060</a>	1080	1050	0.32	
SW70	70	32.0	12	5	3.0	3	M8	15	* <a href="#">ME2070</a>	1390	1520	0.42	
SW80	80	37.0	12	5	3.0	4	M10	15	* <a href="#">ME2080</a>	1970	2170	0.71	
SW90	90	42.0	15	5	3.5	5	M10	15	* <a href="#">ME2090</a>	2170	3250	0.77	

\* = electric potential 21.6 volts DC, at operating temperature

\* = Delivery (until stocks are exhausted)

Overview –  
All chapter

 Your enquiry

Technical  
informations

↑ top

