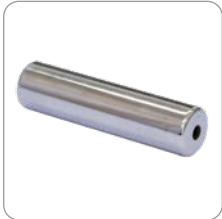




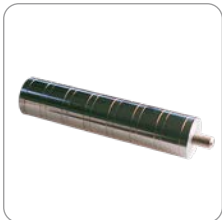
25 Magnetic filter

Inox 1.4305



Magnetic filtering
bars

Ferrite

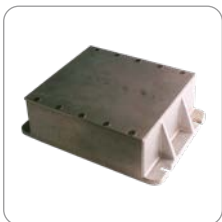


Magnetic filtering
candles

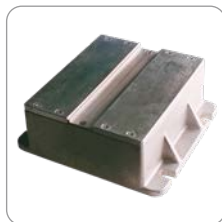


Handle

Iron separating magnets



for overbelt



for shutes



***Your enquiry**
Size / material / magnetization /
working temperature / after drawing...



Magnetic filtering bar

Material: **Inox 1.4305**

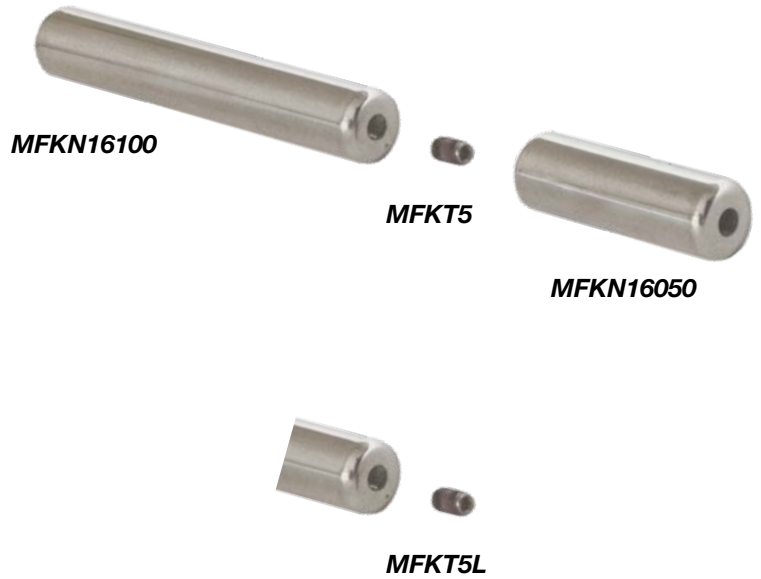
Dimensions, mm Stock no.

M	L	Stock no.
M5	8	MFKT5
M6	10	MFKT6
M8	12	MFKT8

Can be arranged in rows by means of a set screw

M5	20	MFKT5L
M6	20	MFKT6L
M8	20	MFKT8L

Threaded stud for external thread mounting can be used from both sides



Magnetic filtering bar

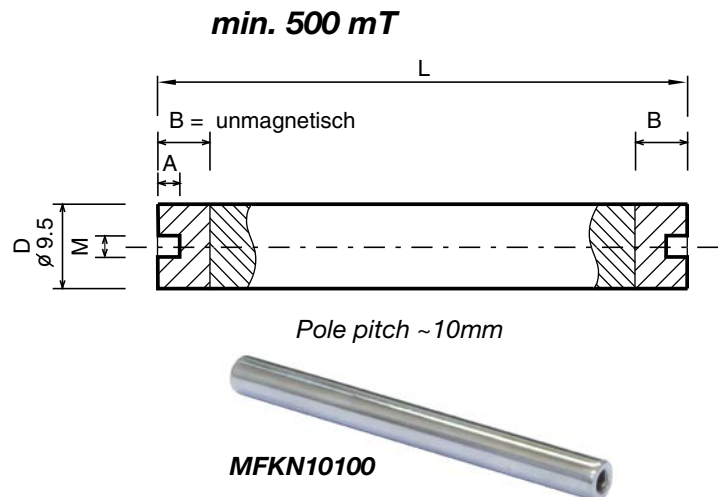
Material: **Inox 1.4305**

Temperature: max. 120°C

Dimensions, mm Stock no.

D	L	M	A	B	Stock no.
9.5	50	M5	6	15	MFKN10050
9.5	100	M5	6	15	MFKN10100

Can be arranged in rows by means of a set screw
Extended pole junction of approximately 30 mm
when arranged in rows



Magnetic filtering bar

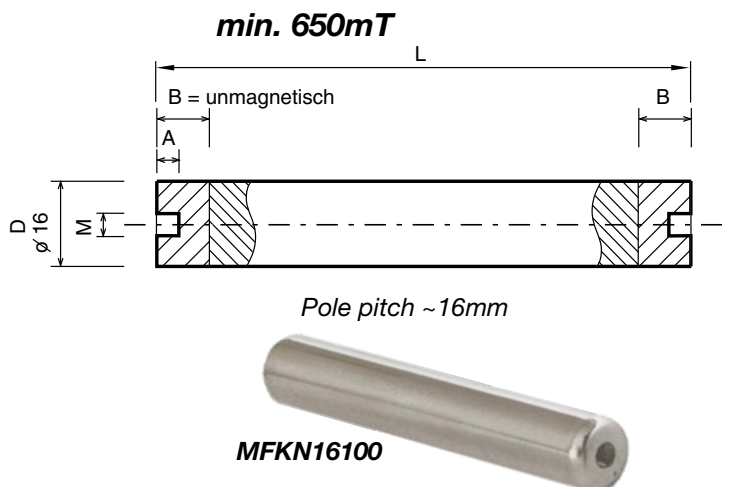
Material: **Inox 1.4305**

Temperature: max. 120°C

Dimensions, mm Stock no.

D	L	M	A	B	Stock no.
16	50	M5	6	9.5	MFKN16050
16	100	M5	6	10	MFKN16100

Can be arranged in rows by means of a set screw
Extended pole junction of approximately 20 mm
when arranged in rows



Your enquiry*

*Your enquiry
Size / material / magnetization /
working temperature / after drawing...



Magnetic filtering bar

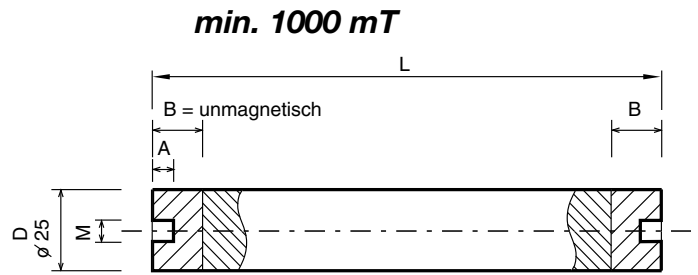
Material: **Inox 1.4305**

Temperature: max. 120°C

Dimensions, mm

D	L	M	A	B	Stock no.
25	100	M6	7	23	MFKN25100
25	150	M6	7	23	MFKN25150
25	200	M6	7	23	MFKN25200
25	250	M6	7	23	MFKN25250
25	300	M6	7	23	MFKN25300
25	350	M8	8	23	MFKN25350
25	400	M8	8	23	MFKN25400
25	450	M8	8	23	MFKN25450
25	500	M8	8	23	MFKN25500

Can be arranged in rows by means of a set screw
Can be arranged in rows by means of a 50 mm
when arranged in rows



Pole pitch ~25mm



MFKN25100

Magnetic filtering bar

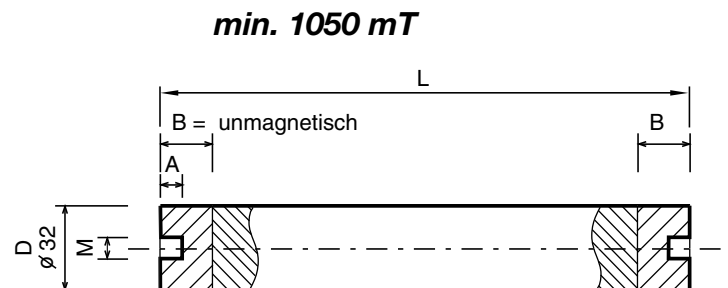
Material: **Inox 1.4305**

Temperature: max. 120°C

Dimensions, mm

D	L	M	A	B	Stock no.
32	100	M8	8	30	MFKN32100
32	150	M8	8	35	MFKN32150
32	200	M8	8	30	MFKN32200

Can be arranged in rows by means of a set screw
Extended pole junction of approximately 65 mm
when arranged in rows



Pole pitch ~40mm



MFKN32100



Your enquiry*

*Your enquiry
Size / material / magnetization /
working temperature / after drawing...



Magnetic filtering bar

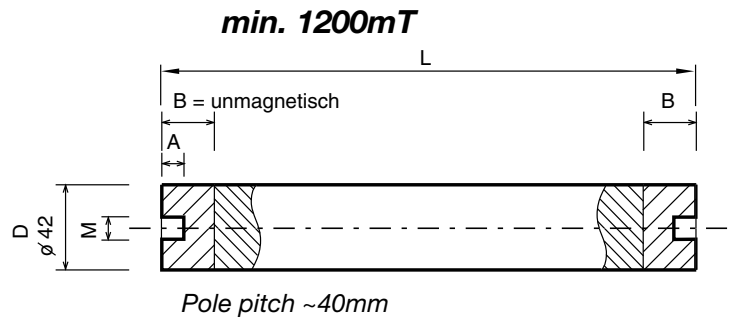
Material: **Inox 1.4305**

Temperature: max. 120°C

Dimensions, mm

D	L	M	A	B	Stock no.
42	100	M8	8	30	MFKN42100
42	150	M8	8	35	MFKN42150
42	200	M8	8	30	MFKN42200

Can be arranged in rows by means of a set screw
Extended pole junction of approximately 65 mm
when arranged in rows



Magnetic filtering candles

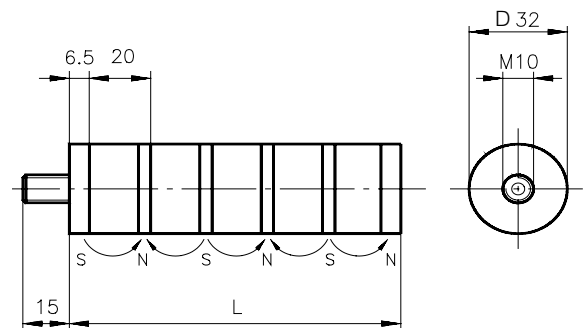
Material: **HF24/16**, Chromed brass,
chromed soft iron 18/8 V4A

Temperature: max. 200°C

Dimensions, mm

D	L	Stock no.
32	28	MM2019/1
32	48	MM2019/2
32	68	MM2019/3
32	88	MM2019/4
32	108	MM2019/5
32	128	MM2019/6
32	148	MM2019/7
32	168	MM2019/8
32	188	MM2019/9
32	208	MM2019/10
32	228	MM2019/11
32	248	MM2019/12
32	268	MM2019/13
32	288	MM2019/14
32	308	MM2019/15
32	328	MM2019/16
Handle M10		MT371

min. 150 mT



Handle M10

[MT371](#)




Your enquiry*

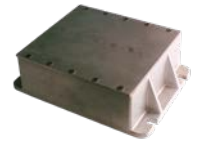
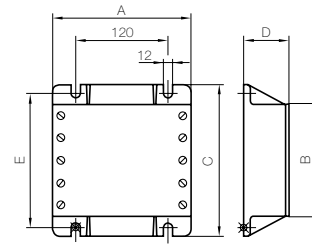
*Your enquiry

Size / material / magnetization /
working temperature / after drawing...




Iron separating magnets for overbelt

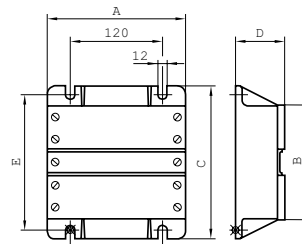
Dimensions, mm					Stock no.	Weight	Operating air gap	
A	B	C	D	E		kg	max.	
185	152	200	72	180	MM2003/200	9.5	50	
185	198	250	77	230	MM2003/250	12.0	70	
185	360	420	123	400	MM2003/420	35.0	100	



MM2003/200

Iron separating magnets for shutes

Dimensions, mm					Stock no.	Weight	Operating air gap	
A	B	C	D	E		kg	max.	
185	152	200	73	180	MM2003/201	10.0	50	
185	198	250	82	230	MM2003/251	13.0	90	
185	360	420	128	400	MM2003/421	38.0	120	



MM2003/201



***Your enquiry**
Size / material / magnetization /
working temperature / after drawing...