



24 Magnet Systems non-skid



Your enquiry*

***Your enquiry**

Size / material / magnetization / coating /
working temperature / after drawing...

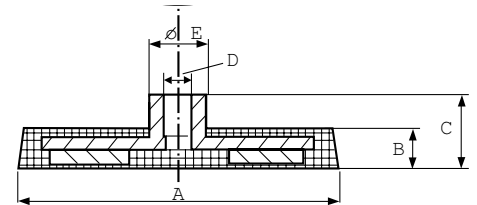


Magnetic disks

Material: Magnet **NdFeB**, iron St37, Santoprene®

Values (10 N = ~1kg)

Use: Magnetic adherence system to be used on metal sheets with sensitive surfaces (e.g. varnished, chromed, nickel plated etc). The rubber-like consistency of Santoprene® protects the surfaces from scratching (In case the surfaces are clean). Apart from that, a high degree of lateral adhesion can be caused by the high coefficient of adhesion of Santoprene against the metallic surfaces. The adhesive forces in case of vertical draw off on 0.8 mm strong, enamelled sheet metal is reduced as follows: the M430.. to about 55N, the M660... to about 125N and the M880... to about 280N.



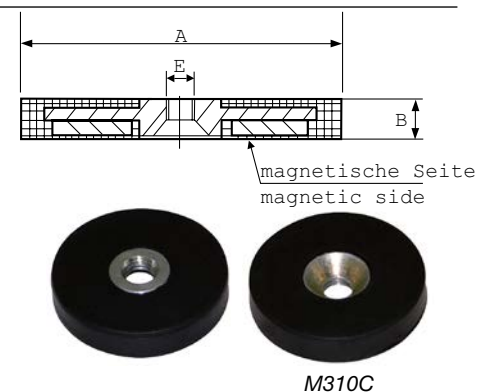
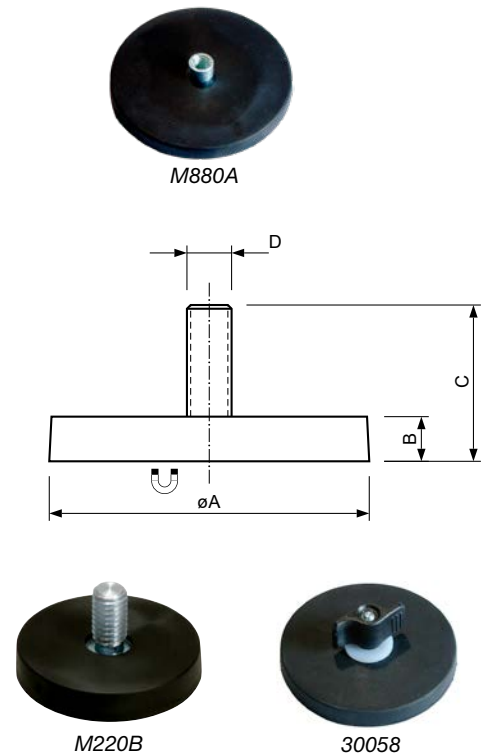
Dimensions, mm					Stock no.	Weight	Pull force
A	B	C	D	E		g	N
12	7	14.8	M4	8	M120A	6	10
18	6	11.5	M4	8	M180A	9	35
22	6	11.5	M4	8	M220A	13	55
31	6	11.5	M4	8	M310A	22	88
43	6	10.5	M4	8	M430A	30	100
57	7.6	14.5	M5	10	M570A	82	200
66	8.5	15	M5	10	M660A	105	250
88	8.5	17	M8	12	M880A	190	550
12	7	15.5	M4x8	-	M120B	4.5	10
18	6	12	M4x6	-	M180B	8	35
22	6	12.5	M4x6.5	-	M220B	11	55
43	6	21	M6x15	-	M430B	30	100
43	6	21	M6x15	-	30057 *	30	100
57	7.6	22.6	M6x15	-	M570B	77	200
66	8.5	23.5	M6x15	-	M660B	105	250
66	8.5	23.5	M6x15	-	30058 *	105	250
88	8.5	23.5	M8x15	-	M880B	190	550
88	8.5	23.5	M8x15	-	30059 *	190	550

* 30057, 30058 and 30059 with washer and wing nut
Shift forces approx. 1/4 of the holding force

Dimensions, mm			Stock no.	Weight	Pull force
A	B	E		g	N
31	6.7	M6**	M310C	18	89
43	6.7	M6**	M430C	37	100

** System with two fastening variants:
- for threaded bolt M6
- for countersunk screw/bolt M5

Shift forces approx. 1/4 of the holding force



Your enquiry*

*Your enquiry
Size / material / magnetization / coating /
working temperature / after drawing...




Magnetic disks

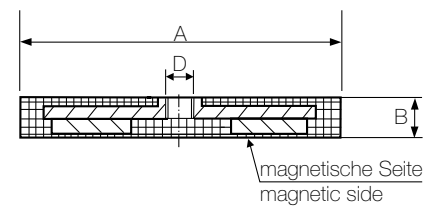
Material: Magnet **NdFeB**, iron St37, Santoprene®

Values (10 N = ~1kg)

Use: Magnetic adherence system to be used on metal sheets with sensitive surfaces (e.g. varnished, chromed, nickel plated etc). The rubber-like consistency of Santoprene® protects the surfaces from scratching (In case the surfaces are clean). Apart from that, a high degree of lateral adhesion can be caused by the high coefficient of adhesion of Santoprene against the metallic surfaces. The adhesive forces in case of vertical draw off on 0.8 mm strong, enamelled sheet metal is reduced as follows: the M430.. to about 55N, the M660... to about 125N and the M880... to about 280N.

Dimensions, mm			Thread depth	Stock no.	Weight	Pull force	Color
A	B	D			g	N	
18	6	M4	5	M656187	6	25	schwarz
22	6	M4	5	M656227	9	38	black
31	6	M4	5	M656313	21	89	grey
31	6	M4	5	M656317	21	89	black
31	6	M4	5	M656318	21	89	white
43	6	M4	4	M656433	29	100	grey
43	6	M4	4	M656437	29	100	black
43	6	M4	4	M656438	29	100	white
57	7.6	M5	4	M656577	79	200	black
57	7.6	M5	4	M656578	79	200	white
66	8.5	M6	4	M656663	100	250	grey
66	8.5	M6	4	M656667	100	250	black
66	8.5	M6	4	M656668	100	250	white
88	8.5	M6	6	M656887	186	550	black
88	8.5	M6	6	M656888	186	550	white

Shift forces approx. 1/4 of the holding force



M656663




M656187

Rubber coated systems

Materials: **NdFeB**

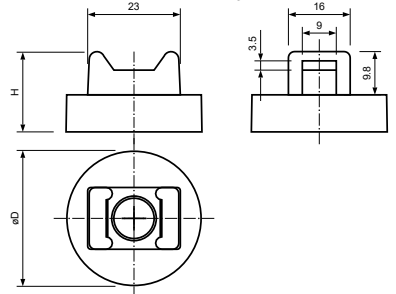
Execution: black, rubber coat, for cable mounting

Dimensions, mm		Stock no.	Weight	Pull force
D	H		g	N
18	13	M180K	7	25
22	16	M220K	12	38
31	16	M310K*	26	89
43	16	M430K	30	100

Shift forces approx. 1/4 of the holding force



M220K




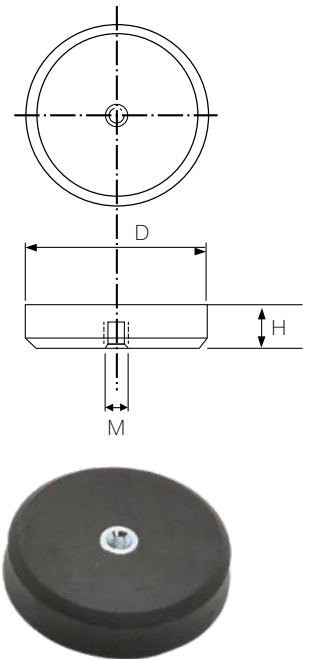
*Your enquiry
Size / material / magnetization / coating /
working temperature / after drawing...



Rubber coated systems with internal thread

Temperature: **max. 80°C**

Dimensions, mm			Stock no.	Weight	Pull force
D	H	M		g	N
57	7.6	M5	M656577	79	200




Rubber coated systems with internal thread

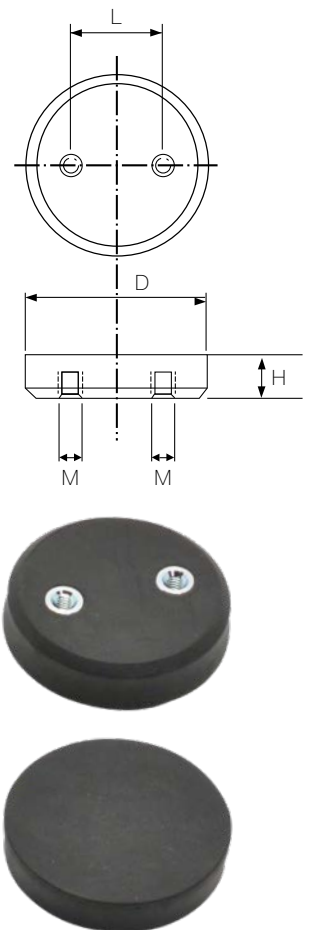
Material: Magnet **NdFeB**, iron St37, Santoprene®

Values (10 N = ~1kg)

Temperature: **max. 60°C**

Use: These systems are used especially on delicate surfaces. Due to the rubber coating occur neither scratches nor discoloration. Moreover the slip resistance is improved thanks to rubber coating.

Dimensions, mm				Stock no.	Weight	Pull force
D	H	L	M		g	N
43	10.3	22	M4	M657143	37	100
43	10.3	27	M5	M657243	37	100
57	11.3	32	M6	M657157	86	200
57	11.3	36	M6	M657257	86	200



 Your enquiry*

*Your enquiry
Size / material / magnetization / coating /
working temperature / after drawing...



Non-skid magnetic plates, attractive on both sites

Material: **N42, ABS, Santoprene® black**

Values (10 N = ~1kg)

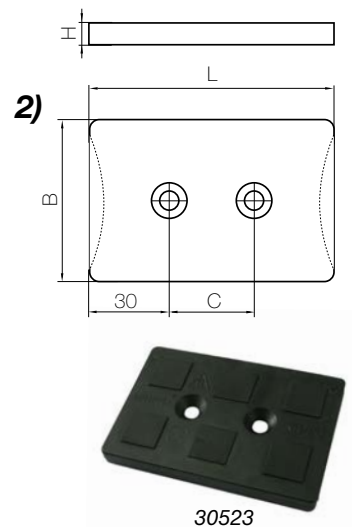
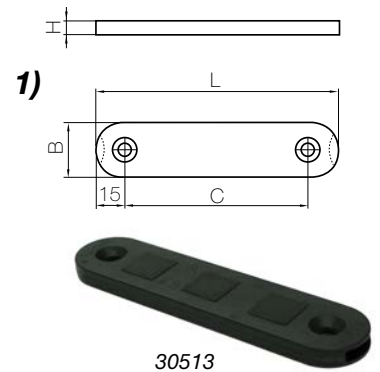
Temperature: **max. 60°C**

Use: The magnetic plates, fitted with non-skid Santoprene®, as well as fastening options for M6 countersunk screws are suitable for indoor applications, such as: galleries / offices / workshops / garages, etc.

Type	Dimensions, mm				Stock no.	Weight g	Pull force (ca.) N**	Attraction force N**	
	B	L	H	C					
MP12	30	100	8	70	30512	41	70 / 110*	33 / 54*	1)
MP13	30	130	8	100	30513	59	97 / 153*	46 / 76*	1)
MP14	30	160	8	130	30514	77	124 / 196*	59 / 98*	1)
MP24	60	60	8	–	30522	71	140 / 240*	64 / 115*	2)
MP26	60	90	8	30	30523	111	185 / 315*	85 / 153*	2)
MP28	60	120	8	60	30524	141	230 / 390*	107 / 191*	2)

* with steel plate reinforcement of the magnetic field

** 10N \triangleq 1kg



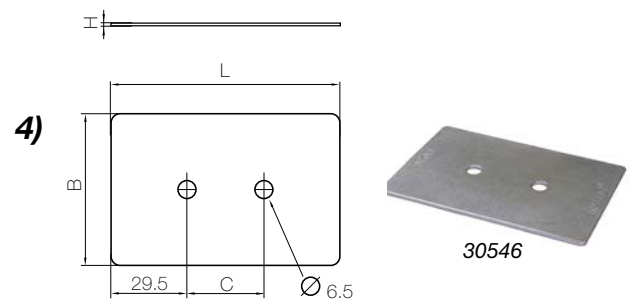
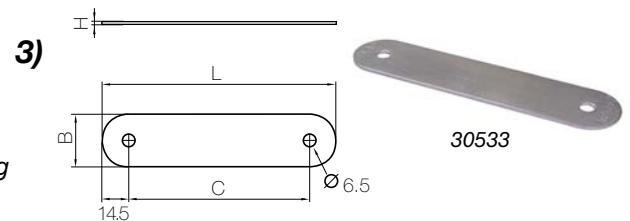
Magnetic amplifier plate

Material: **galvanized steel**

Values (10 N = ~1kg)

Use: For the reinforcement of the magnetic field, back shielding

Type	Dimensions, mm				Stock no.	Weight	
	B	L	H	C		g	
GP12	29	99	1.5	70	30532	31	3)
GP13	29	129	1.5	100	30533	41	3)
GP14	29	159	1.5	130	30534	51	3)
GP24	59	59	1.5	–	30542	40	4)
GP26	59	89	1.5	30	30546	61	4)
GP28	59	119	1.5	60	30548	82	4)



Your enquiry*

*Your enquiry
Size / material / magnetization / coating / working temperature / after drawing...




Rubberised adhesive plates

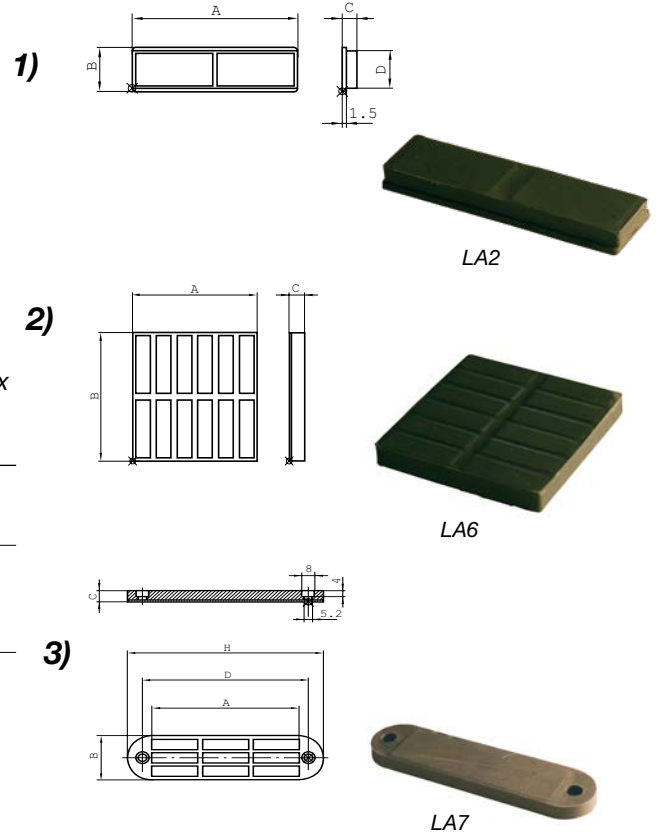
Material: **HF 24/16**, soft iron, rubber

Values (10 N = ~1kg)

Temperature: max. 80°C

Use:
– Strong adherence in case of lateral displacement.
– Insensitive to vibrations.

Dimensions, mm					Stock no.	Pull force	Index
A	B	C	D	H		N	
60	23	7.5	20.0	–	LA2*	22	1)
60	60	7.5	–	–	LA4*	65	2)
90	23	7.5	20.0	–	LA5*	34	1)
90	30	7.5	–	–	LA6*	50	2)
90	30	7.5	101.5	120	LA7*	50	3)



 Your enquiry*

*Your enquiry
Size / material / magnetization / coating / working temperature / after drawing...



Rubber coated systems

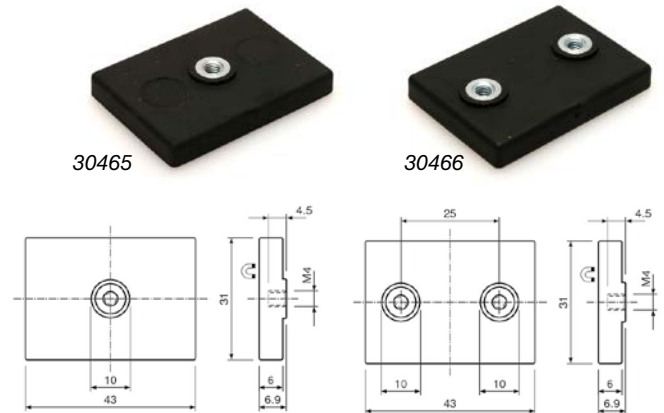
Materials: **NdFeB**, iron St37, Santoprene®

Values (10 N = ~1kg)

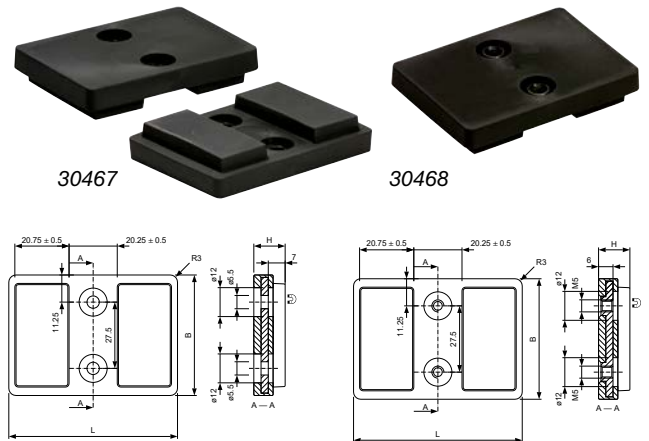
Temperature: max. 60°C

Execution: black, with internal thread, rectangular

Dimensions, mm			Stock no.	Weight	Lift
L	B	H		g	N
43	31	6.9	30465	27	90
43	31	6.9	30466	28	115



70	50	13	30467	149	70
70	50	13	30468	149	70



Product information:

These systems with an improved protection against corrosion are used especially on delicate surfaces and have a very high adhesive force at large distances from the counterpart. The extremely soft rubber coating leads to higher displacement forces. Thanks to the large pole gap these systems have a high adherence even on rounded surfaces (such as wind towers).

Flexible magnetic base plate

Materials: **NdFeB**, iron St37, Santoprene®

Values (10 N = ~1kg)

Temperature: max. 60°C

Execution: Base plate with 4 magnet assemblies with threaded neck M6x18, black

Dimensions, mm			Stock no.	Weight	Lift
L	B	H		g	N
97	73	32	M616297	255	350



Your enquiry*

*Your enquiry
Size / material / magnetization / coating / working temperature / after drawing...